

Section: 501-16

Model: Galaxy 2000.75 (Build Date: 08/2001 Onwards) (Build Code: 1G Onwards)

Markets: All

Subject: Front wiper blades touch left and right A-pillar when the windshield wipers are switched on

Summary

Should a customer express concern that the front wiper blades touch the A-pillar when the windshield wipers are switched on, the probable cause is that the windshield wiper arms are incorrectly positioned on the windshield wiper pivot shafts. To rectify the concern, the windshield wipers should be detached and installed in a different position.

Labour Time

Wiper Arm(s) - Remove And Install (One Or Both)	32 58 70
---	----------

Repair Code

Causal Part:	32587
Defect Code:	
ACES Condition Code:	07

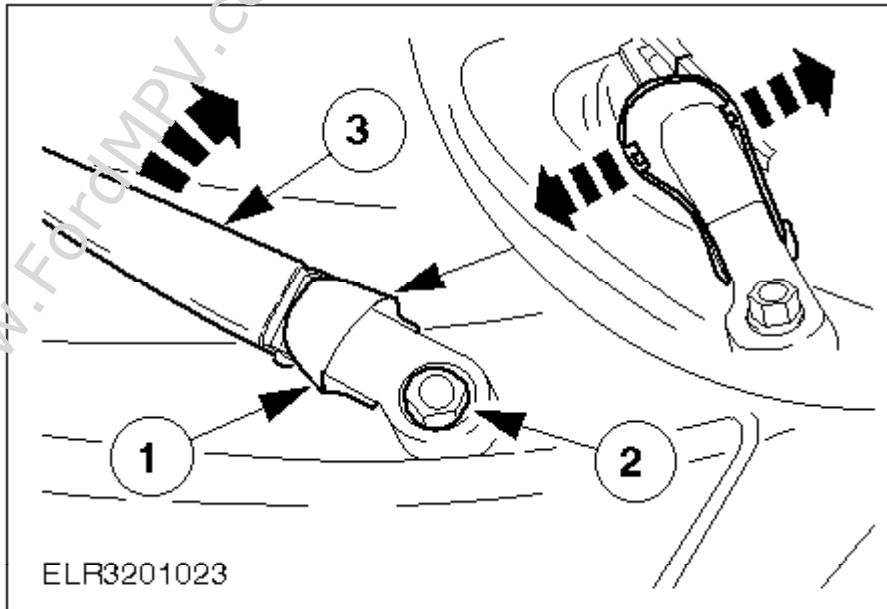
Service Instructions

See Summary

Detach the windshield wiper arms.

Note:

Check that the windshield wiper motor is in the parked position.



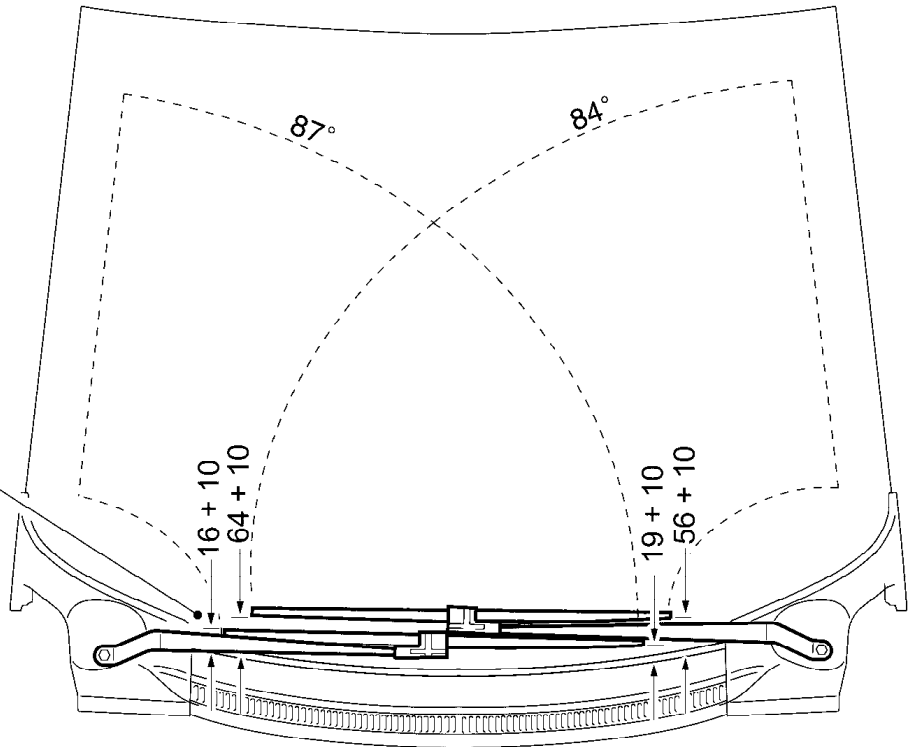
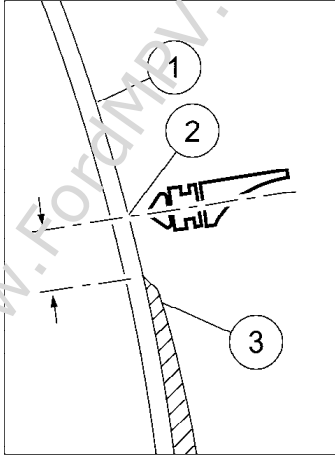
1. Detach the windshield wiper arms.
 - 1 Pull the windshield wiper arm caps apart and fold them upwards.
 - 2 Undo the wiper arm nuts by about two turns.
 - 3 Fold the wiper arms up and release them from the tapers. Unscrew and remove the nuts.

Install the windshield wiper arms in their revised positions.

Note:

Before installation, thoroughly clean the splines of the windshield wiper arms and the tapers using a suitable cleaning agent, to avoid an incorrect adjustment.

mm

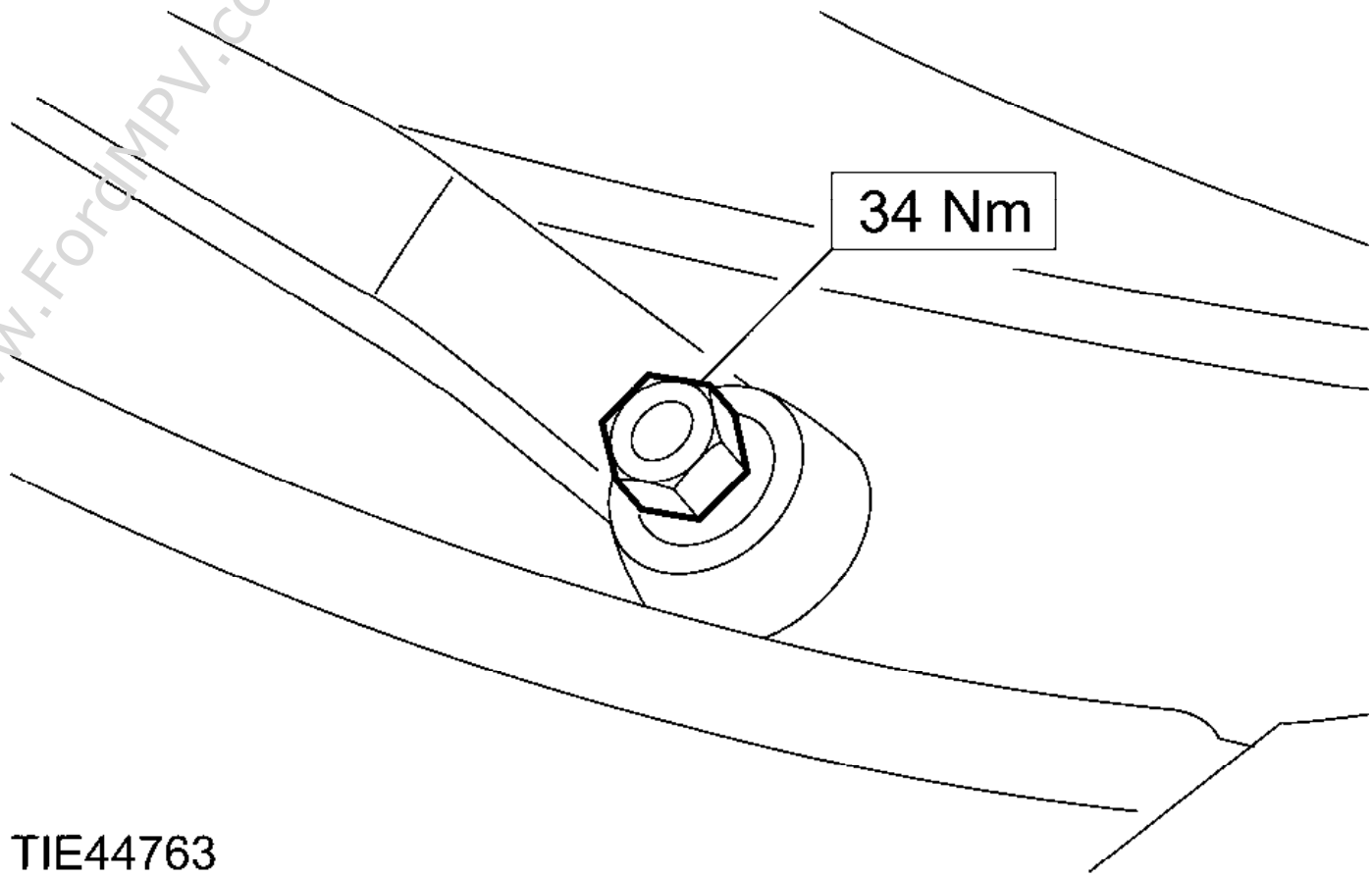


TIE44760

Item	Description
1	Windshield
2	Point of windshield wiper blade
3	Cowl panel

Note:

As the nuts are tightened, hold the windshield wiper arms to stop them from turning.



TIE44763

2. Tighten the windshield wiper arm nuts.
3. Install the windshield wiper arm caps.



