

Section: 501-05

Model: 2000.75 Galaxy, built up to 25.08.2001 inclusive (build code 1G)

Markets: All

Subject: Central stowage compartment in the instrument panel difficult or impossible to open

Summary

Should a customer expresses concern that the central stowage compartment in the instrument panel is difficult or impossible to open, the probable cause is burrs or deposits in the rectangular cutouts at the front of the latches, worn rubber stops or a damaged cover of the central stowage compartment. To rectify this concern, the rectangular cutouts at the front latches should be reworked, and the rubber stops or, if necessary, the cover should be removed and replaced with new components.

Parts Required

Description	Finis Code
Rubber stop (2 off)	1 204 424
Cover for central stowage compartment, LHD vehicles	1 204 421
Cover for central stowage compartment, RHD vehicles	1 204 423

Labour Time

Rework the front latches and install new rubber stops	0.3 hours
Install a new cover for the central stowage compartment	0.1 hours extra

Repair Code

Causal Part:	43662
Defect Code:	17
ACES Condition Code:	17

Production Action

Modified components have been installed in production on the central stowage compartment since 26.08.2001 (build code 1G).

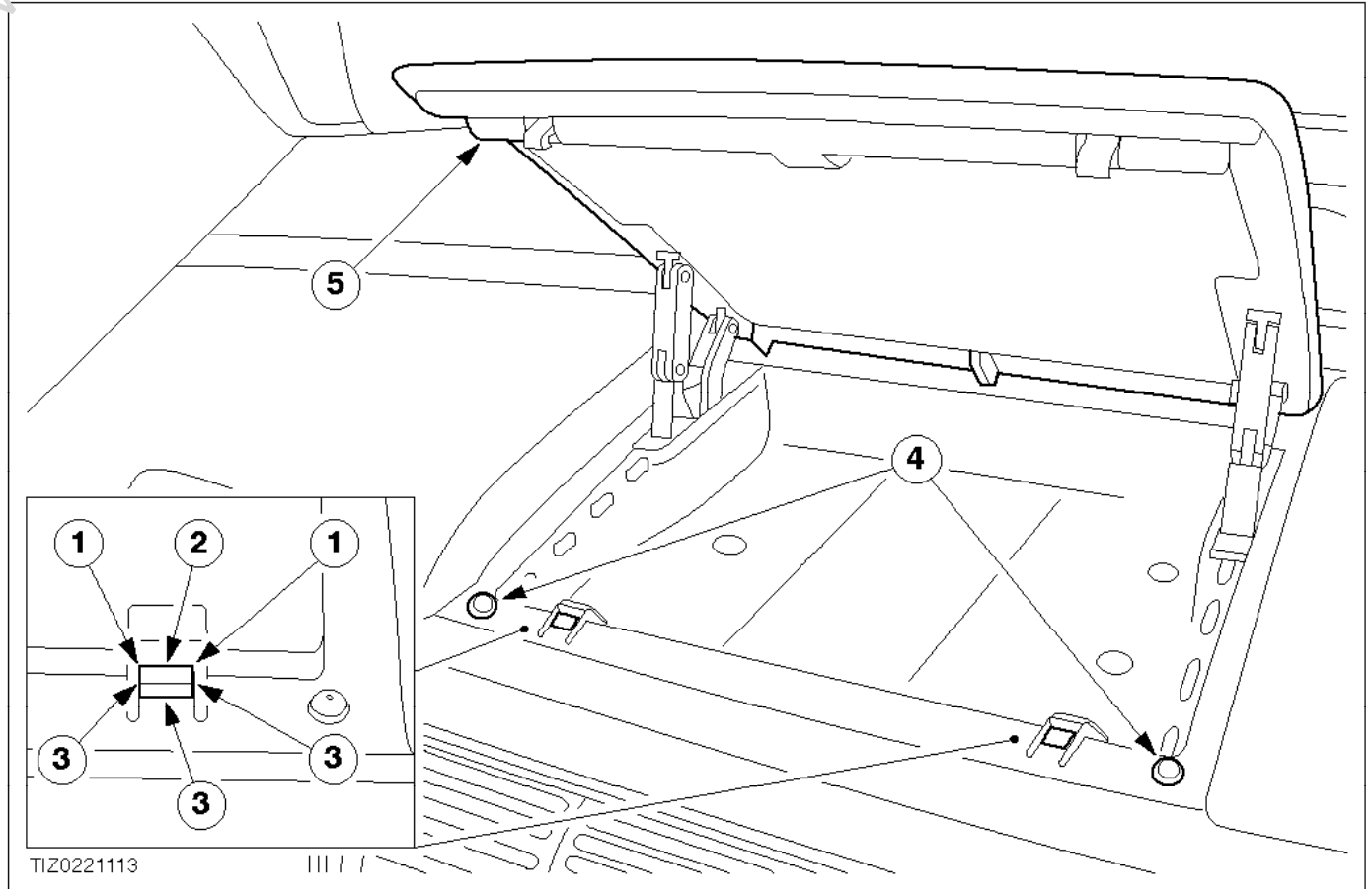
Service Instructions

See Summary.

Overview of the areas possibly causing the concern

The following illustration shows the areas which could possibly be causing the cover of the central stowage compartment to be difficult or impossible to open. It is essential that the following steps are worked through in the correct sequence.

Cover for the central stowage compartment



TIZ0221113

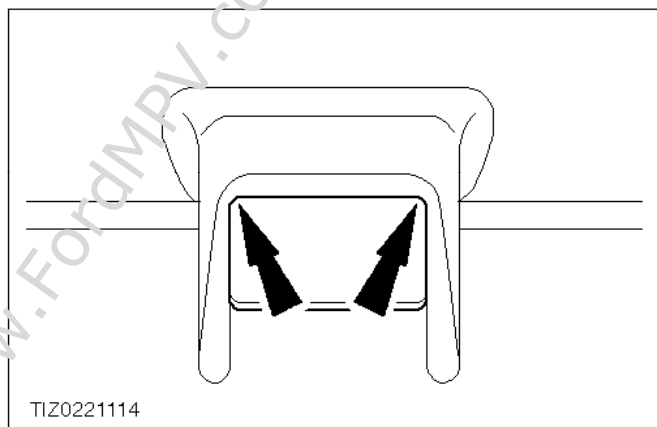
|||| /

Item	Description
1	Burrs on the rectangular cutouts of the front latches
2	Burrs or deposits on the bar of the front latches
3	Burrs or deposits on the lateral guides of the front latches
4	Rubber stops
5	Cover for the central stowage compartment

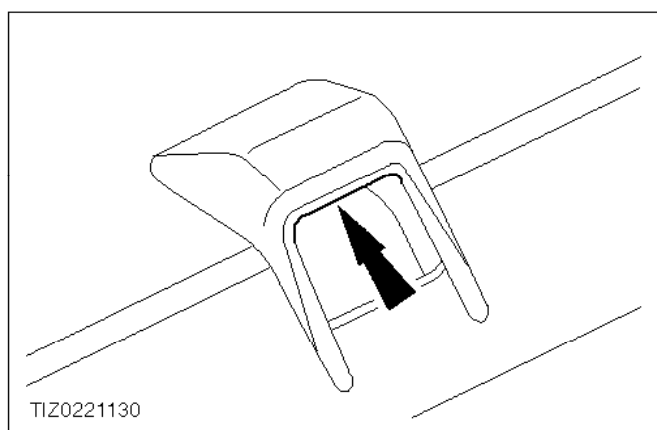
Reworking the front latches

Note:

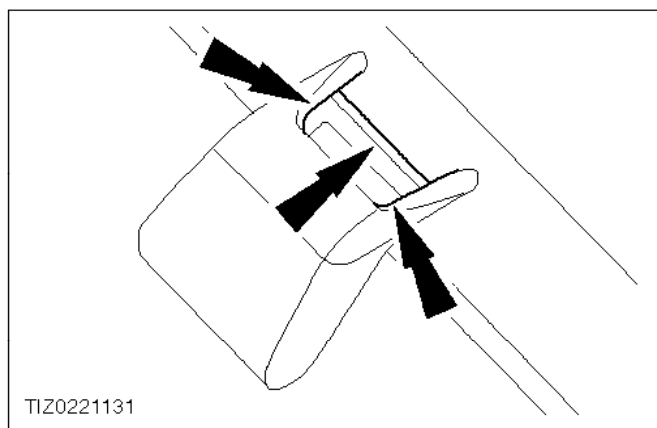
Use a suitable sharp implement for steps 1 to 3.



- 1. Remove any burrs from the rectangular cutouts.

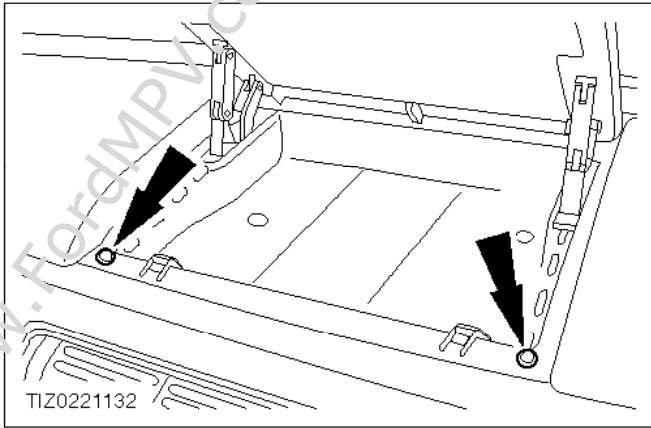


- 2. Remove any burrs or deposits from the bar of the front latches.



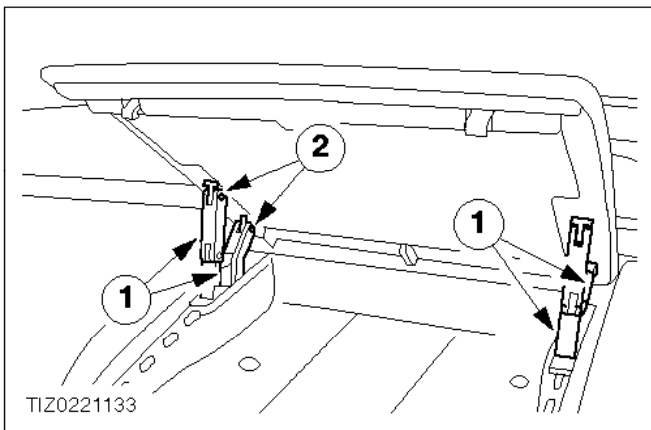
- 3. Remove any burrs or deposits from the lateral guides of the front latches.
- 4. Verify if the concern has been rectified before proceeding to the next step.

Installing new rubber stops



- 5. Install new rubber stops (see Parts Required).
Press sideways on the rubber stops to remove them.
- 6. Verify if the concern has been rectified before proceeding to the next step.

Installing a new cover for the central stowage compartment



- 7. Install a new cover for the central stowage compartment (see Parts Required).
 - 1 Hinge
 - 2 Pins (left-hand side shown)
 - Support the hinge on the side and drive out the pins from the inside using a drift.
-

